



**Conecta**

***SALICE***



## Conecta - Concealed hinge



A perfect synthesis of compactness and adaptability. **Conecta** is the totally innovative Salice hinge that is completely hidden inside the door and the side of the cabinet. Its technical characteristics allow it to manage the opening and closing movements with precision and fluidity even with large and heavy furniture doors in both wood and aluminium.

The **Conecta** hinge, with its 94° opening, is fully adjustable in three directions by cam adjusters and is also available with an integrated soft close mechanism for decelerated closing.



Its refined aesthetics, completed by customisable cover caps available for both the door and the side of the cabinet and by the elegant nickel-plated and titanium finishes, combined with the high build quality, make the **Conecta** hinge suitable for applications with exceptional elegance and functionality.

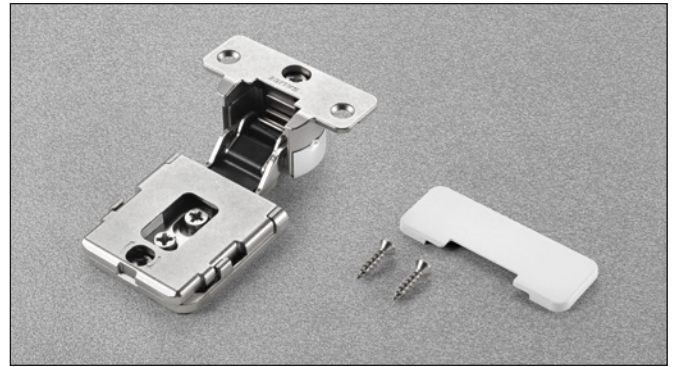


**Conecta • Hinge for wooden doors**

**Concealed CQA3JE hinge with recessed insertion in the door and in the side.**

**Door overlay on the side 10 mm with holder DQG5  
Door overlay on the side 12,5 mm with holder DQG3**

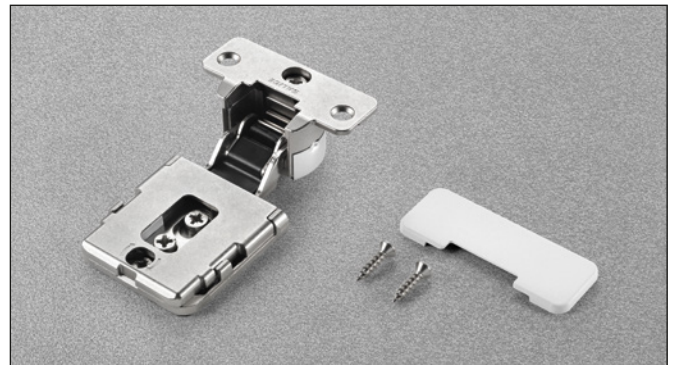
Sideways adjustment -1 +2 mm  
Height adjustment -2,5 +2,5 mm  
Depth adjustment 0 +3 mm



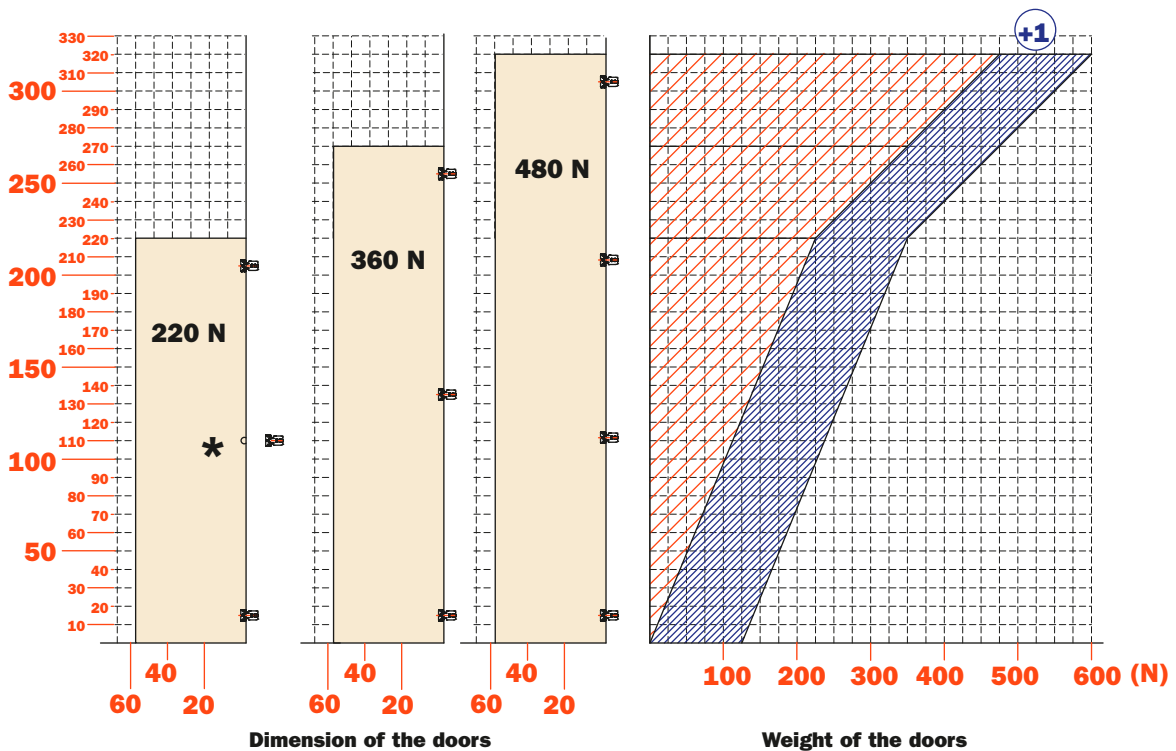
**Concealed CQA3KE hinge with recessed insertion in the door and in the side.**

**Door overlay on the side 14 mm with holder DQG5.  
Door overlay on the side 16,5 mm with holder DQG3.**

Sideways adjustment -1 +2 mm  
Height adjustment -2,5 +2,5 mm  
Depth adjustment 0 +3 mm



**Approx. number of hinges required according to the door dimension and weight**



\* The addition of one hinge in the centre of the door contributes to its rigidity

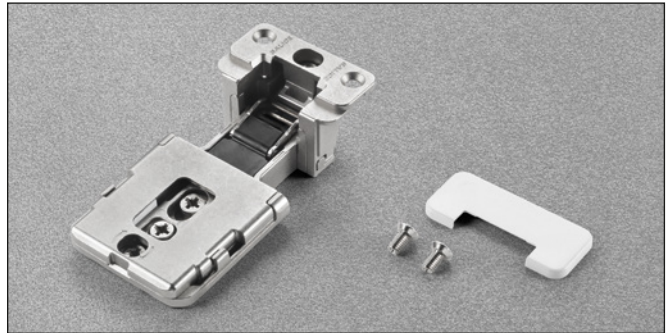


## Conecta • Hinge for aluminium-framed doors

### Concealed CQZ3JE hinge with recessed insertion in the door and in the side.

Door overlay on the side 10 mm with holder DQG5  
 Door overlay on the side 12,5 mm with holder DQG3

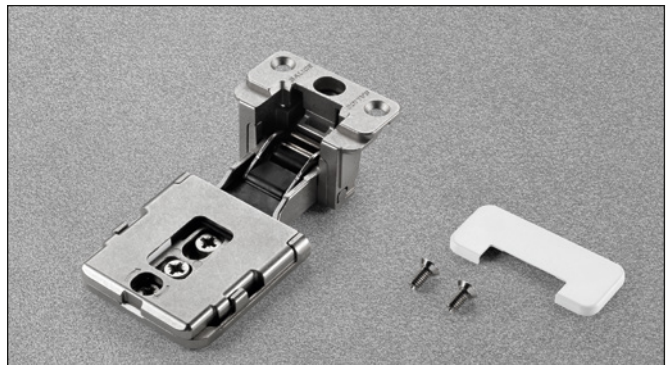
Sideways adjustment -2 +0,5 mm  
 Height adjustment -2,5 +2,5 mm  
 Depth adjustment 0 +3 mm



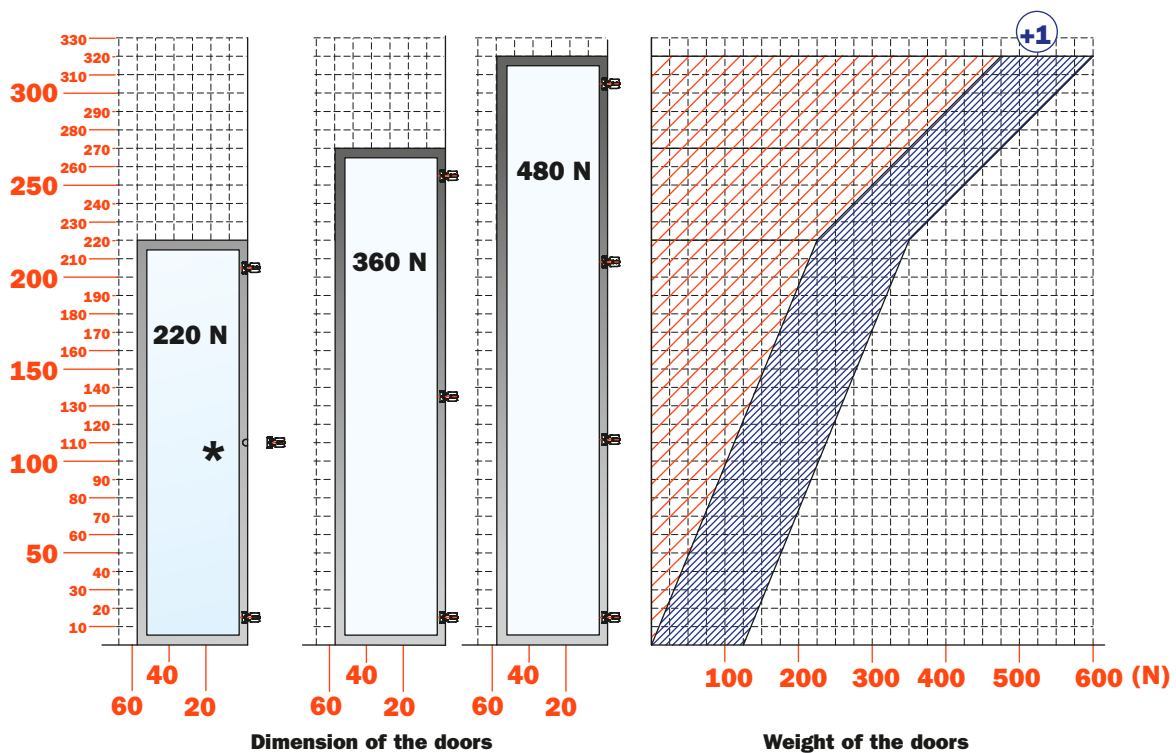
### Concealed CQZ3KE hinge with recessed insertion in the door and in the side.

Door overlay on the side 14 mm with holder DQG5.  
 Door overlay on the side 16,5 mm with holder DQG3.

Sideways adjustment -2 +0,5 mm  
 Height adjustment -2,5 +2,5 mm  
 Depth adjustment 0 +3 mm

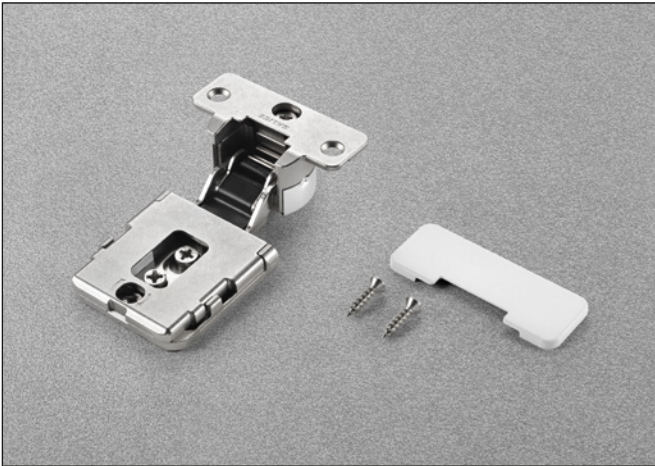


### Approx. number of hinges required according to the door dimension and weight



\* The addition of one hinge in the centre of the door contributes to its rigidity

**Conecta • Hinge for wooden doors**

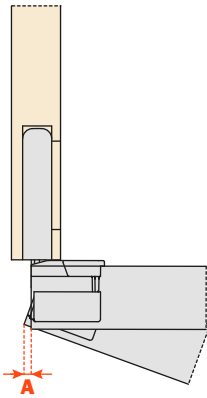


**Technical features**

**Concealed Conecta CQA3JE hinge with recessed insertion in the door and in the side.**

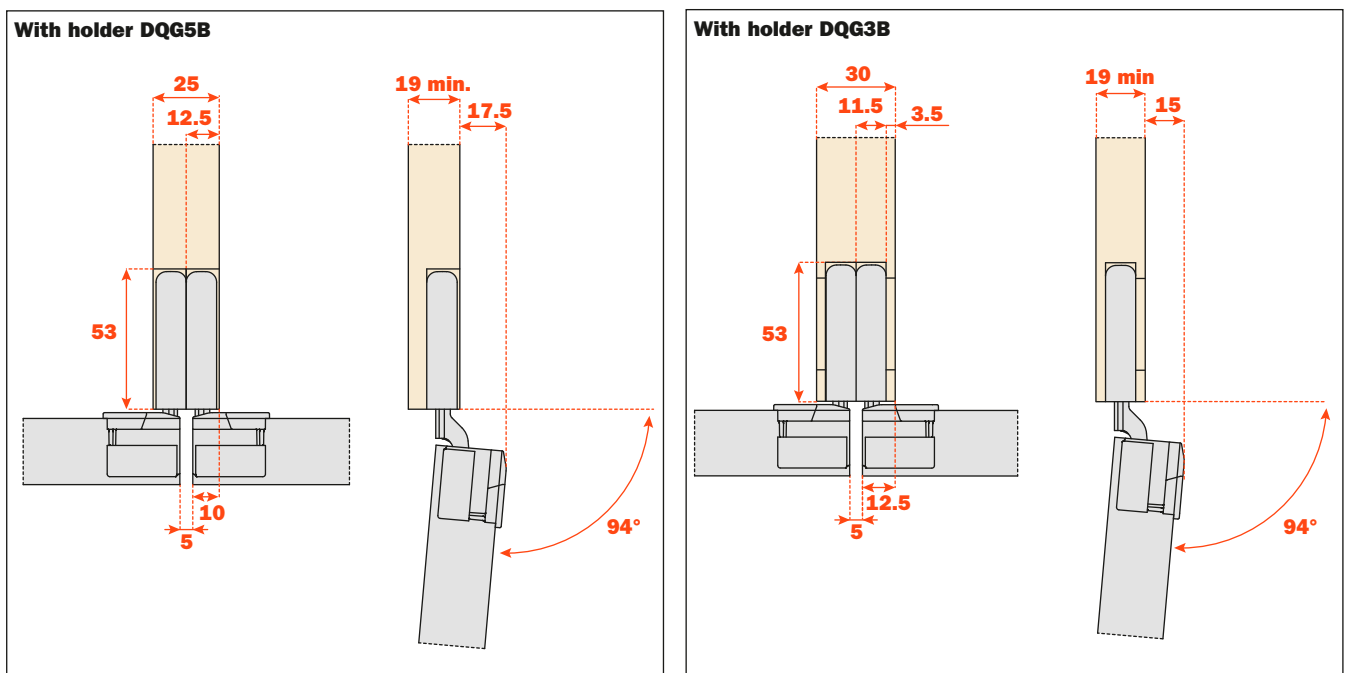
- Rapid fixing of the door to the cabinet side
- 22 mm deep metal cup
- Drilling distance fixed at 10 mm from the edge of the door to the centre of the hole
- Diameter 35 mm
- L = 3,5 mm
- 94° opening

**Space needed to open the door**



T=	25	26	27	28	29	30
A=	2.4	3.1	4.0	4.7	5.5	6.3

**Fixing into the side and projection of the door**



## Workings on door and cabinet

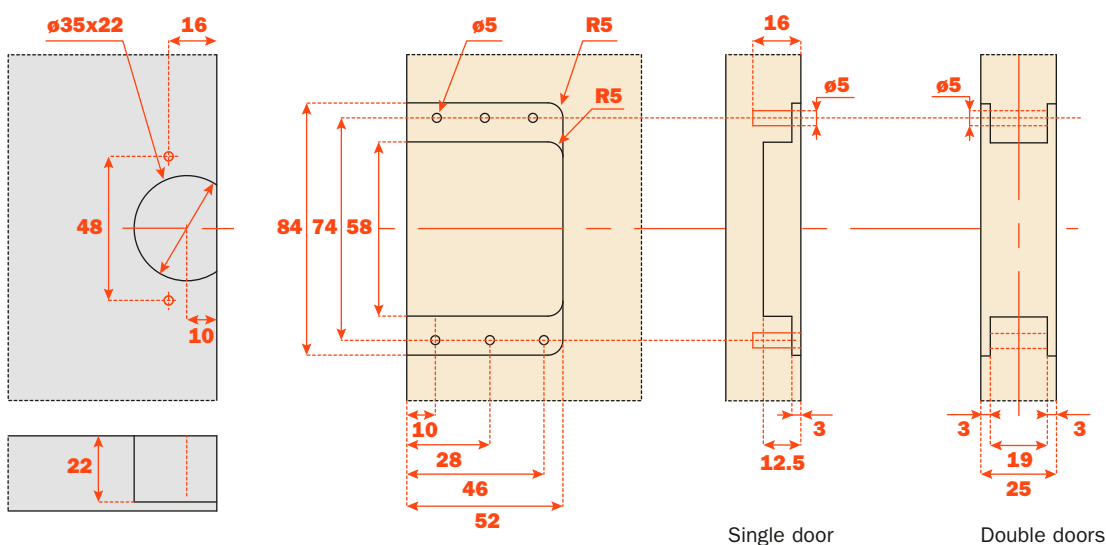
### Holder DQG5B



- For single door
- For double doors and side thickness 25 mm

To be screw-fixed to the cabinet side:

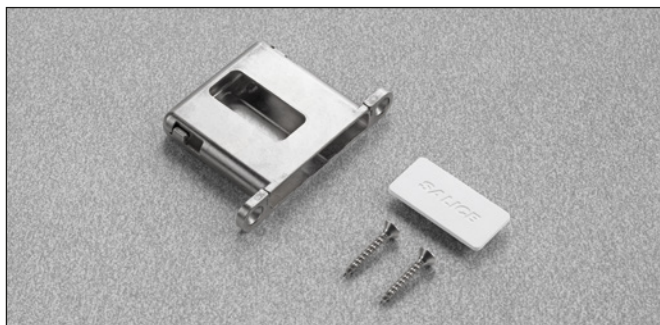
- For single door with Euroscrews, drilling  $\varnothing 5 \times 16$  mm
- For double doors with  $\varnothing 5$  mm interscrews
- Fixing screws and cover caps included in the single packing
- Fixing screws included in the industrial packing



Single door

Double doors

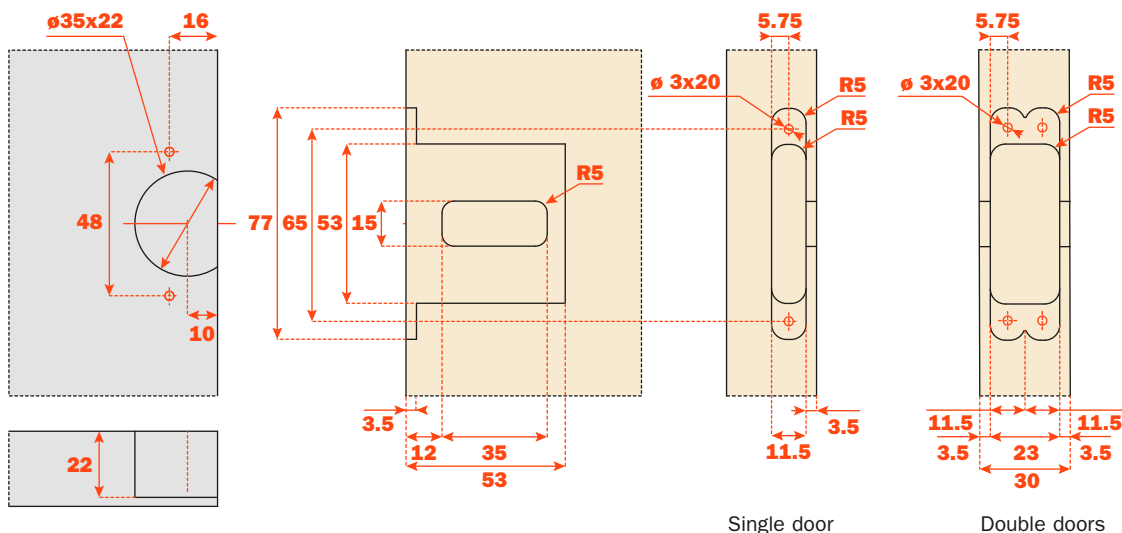
### Holder DQG3B



- For single door
- For double doors and side thickness 30 mm

To be screw-fixed to the cabinet side:

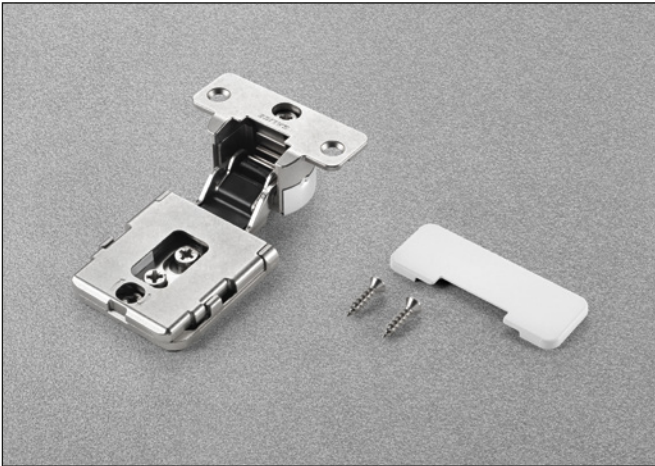
- For single door and for double doors with screws  $\varnothing 4 \times 25$  mm
- Fixing screws and cover caps included in the single packing
- Fixing screws included in the industrial packing



Single door

Double doors

**Conecta • Hinge for wooden doors**

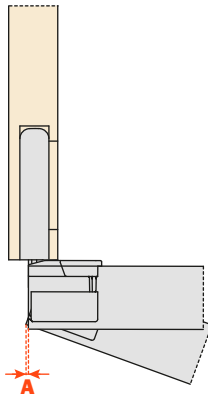


**Technical features**

**Concealed Conecta CQA3KE hinge with recessed insertion in the door and in the side.**

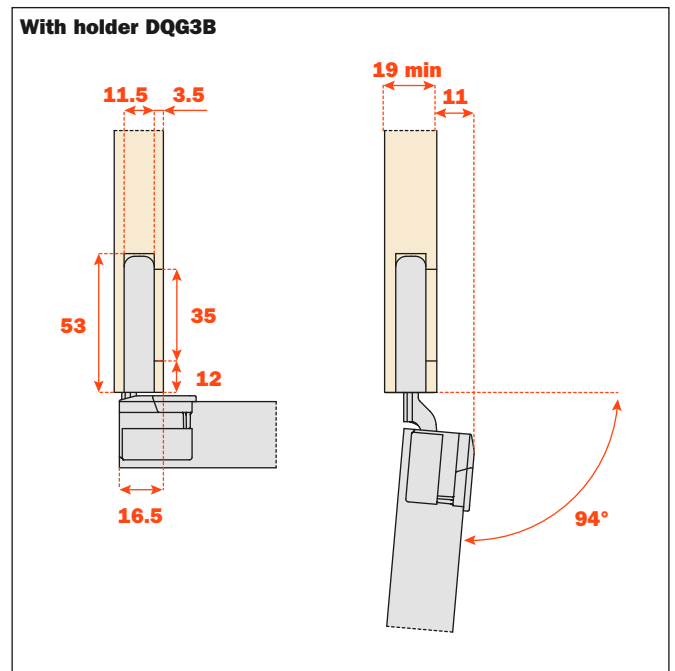
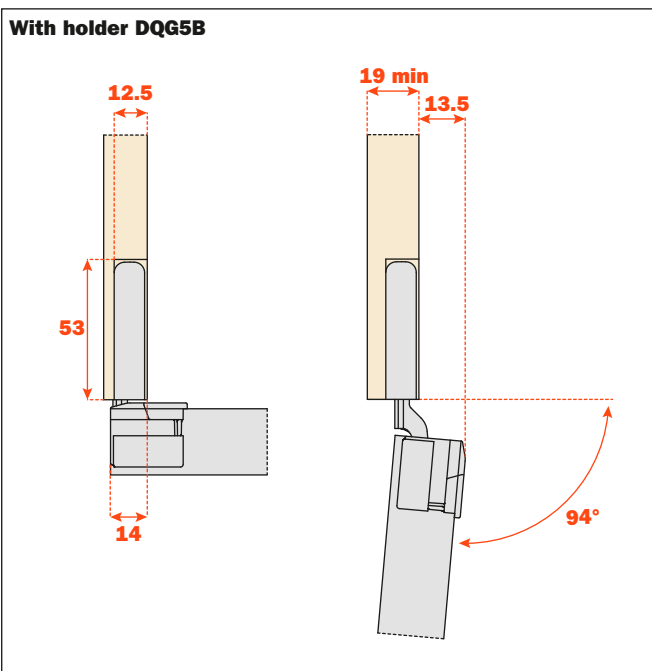
- Rapid fixing of the door to the cabinet side
- 22 mm deep metal cup
- Drilling distance fixed at 10 mm from the edge of the door to the centre of the hole
- Diameter 35 mm
- L = 3,5 mm
- 94° opening

**Space needed to open the door**



T=	25	26	27	28	29	30
A=	2.4	3.1	4.0	4.7	5.5	6.3

**Fixing into the side and projection of the door**





## Workings on door and cabinet

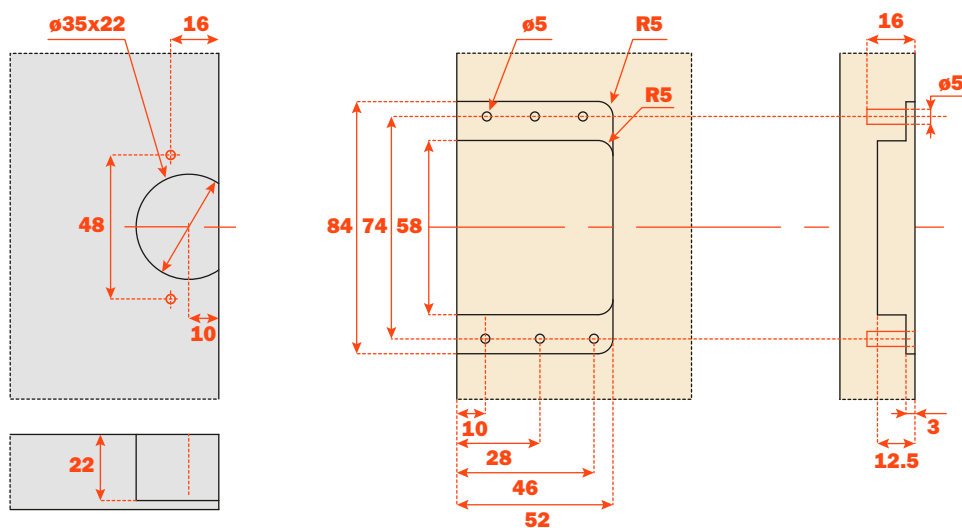
### Holder DQG5B



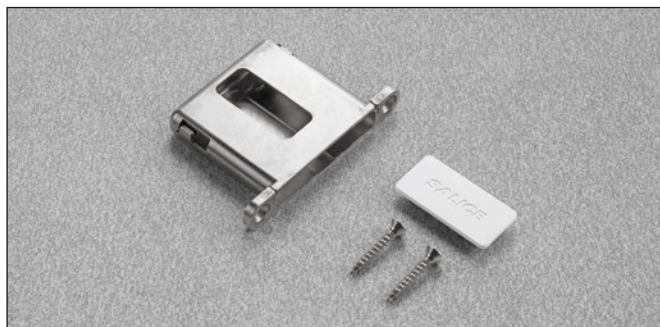
#### - For single door

To be screw-fixed to the cabinet side:

- For single door with Euro screws, drilling  $\varnothing 5 \times 16$  mm
- Fixing screws and cover caps included in the single packing
- Fixing screws included in the industrial packing



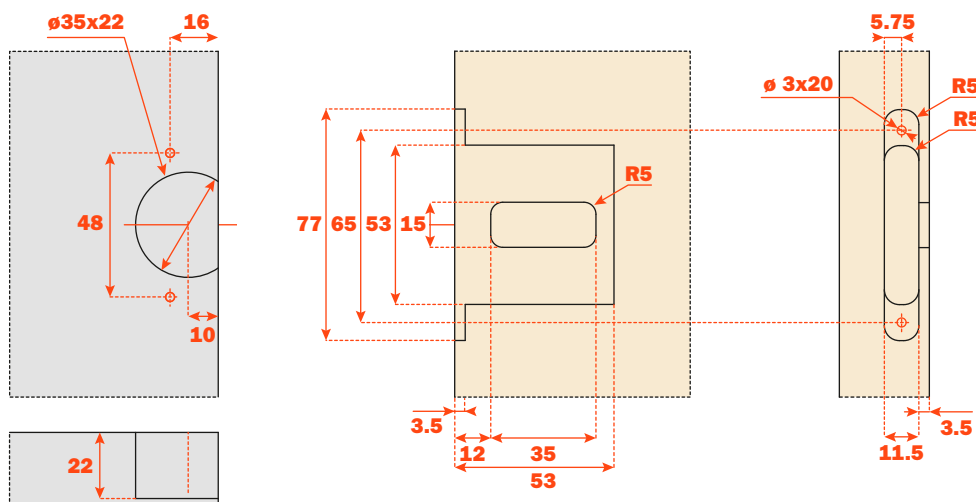
### Holder DQG3B



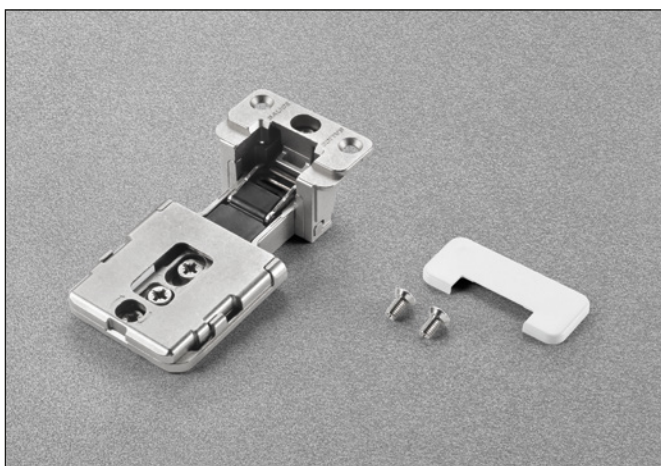
#### - For single door

To be screw-fixed to the cabinet side:

- For single door with screws  $\varnothing 4 \times 25$  mm
- Fixing screws and cover caps included in the single packing
- Fixing screws included in the industrial packing



**Conecta • Hinge for aluminium-framed doors**

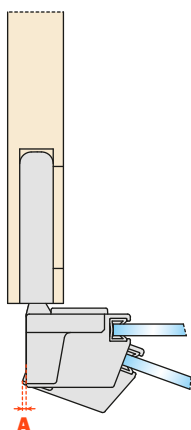


**Technical features**

**Concealed Conecta CQZ3JE hinge with recessed insertion in the door and in the side**

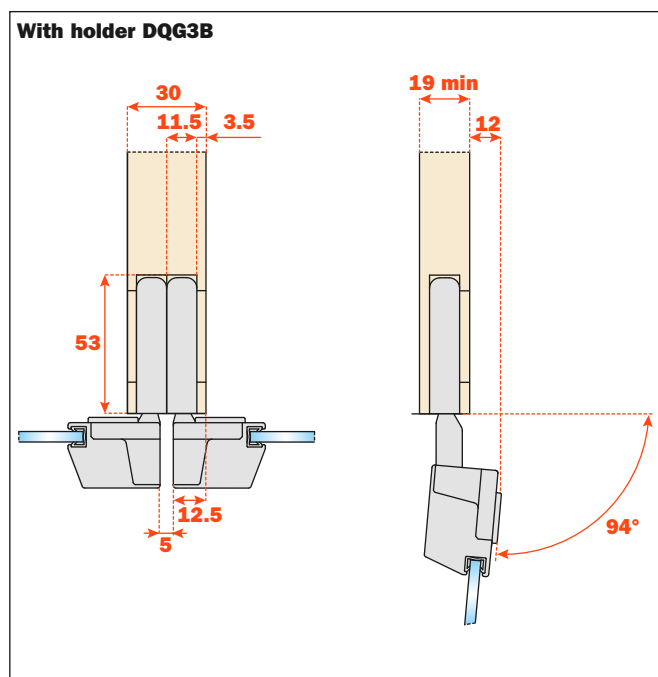
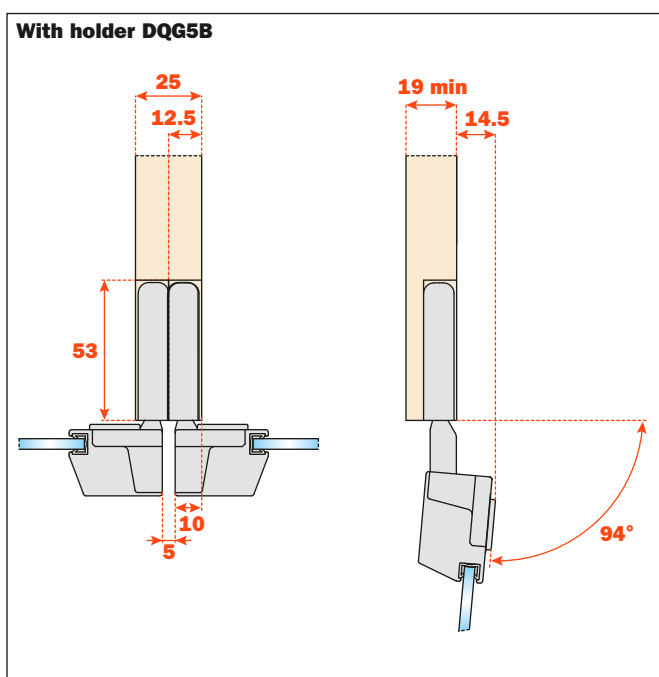
Rapid fixing of the door to the cabinet side  
 For aluminium-framed doors  
 24 mm deep metal cup  
 L = 3,5 mm  
 94° opening

**Space needed to open the door**



T=	25	26	27	28	29	30
A=	2.4	3.3	4.2	5.2	6.1	7.1

**Fixing into the side and projection of the door**



## Workings on door and cabinet

### Holder DQG5B



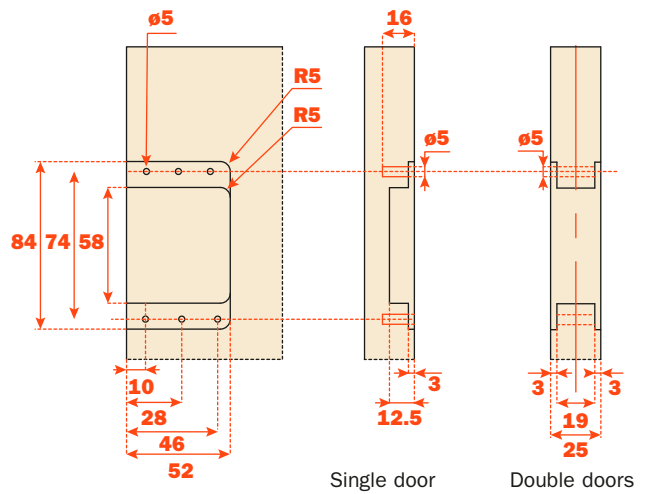
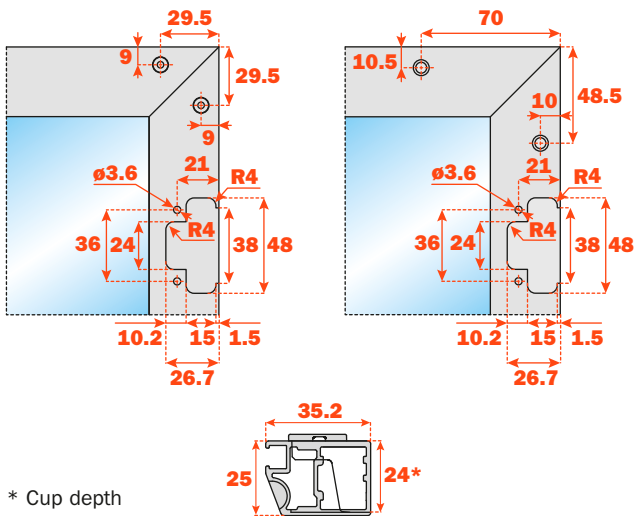
- For single door
- For double doors and side thickness 25 mm

To be screw-fixed to the cabinet side:

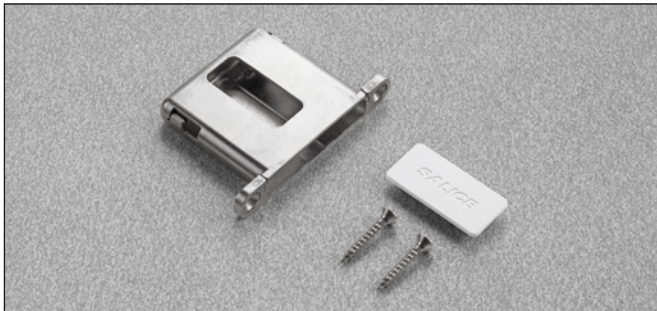
- For single door with Euro screws, drilling  $\varnothing 5 \times 16$  mm
- For double doors with  $\varnothing 5$  mm interscrews
- Fixing screws and cover caps included in the single packing
- Fixing screws included in the industrial packing

Drilling with corner connector  
**DQZ3HS5V04**

Drilling with corner connector  
**DEL6BSFV02**



### Holder DQG3B



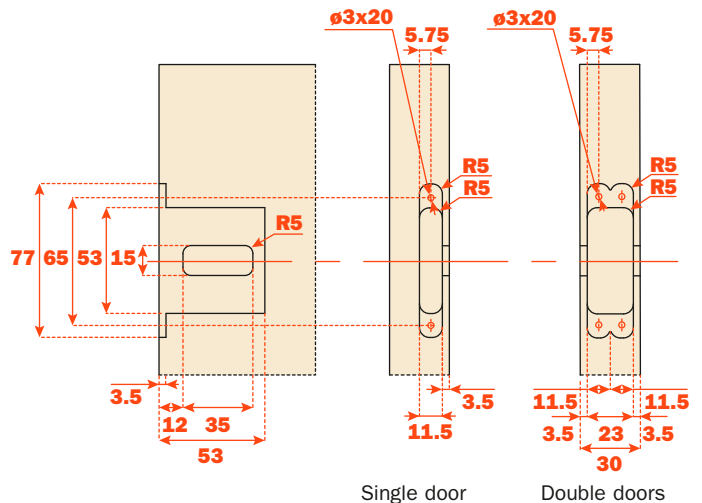
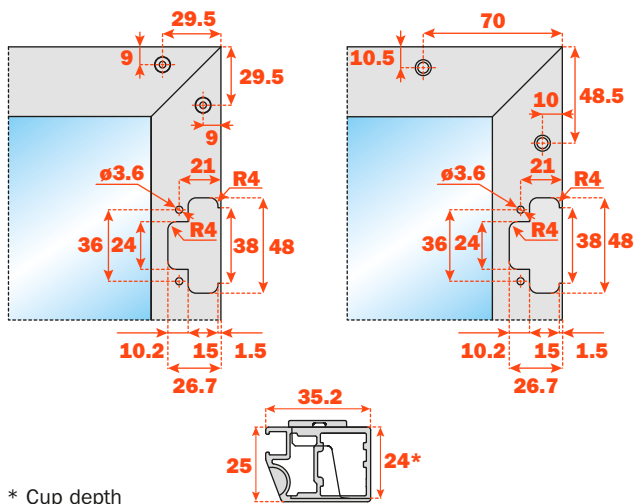
- For single door
- For double doors and side thickness 30 mm

To be screw-fixed to the cabinet side:

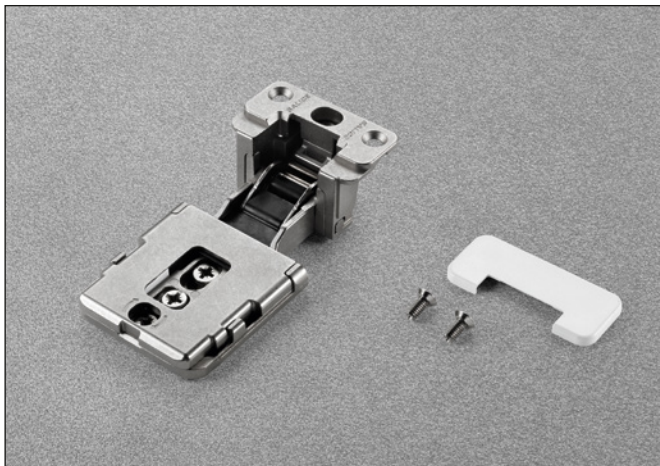
- For single door and for double doors with screws  $\varnothing 4 \times 25$  mm
- Fixing screws and cover caps included in the single packing
- Fixing screws included in the industrial packing

Drilling with corner connector  
**DQZ3HS5V04**

Drilling with corner connector  
**DEL6BSFV02**



**Conecta • Hinge for aluminium-framed doors**

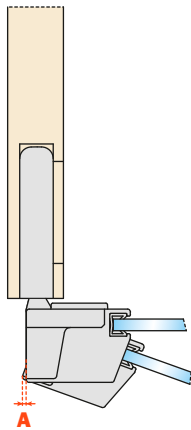


**Technical features**

**Concealed Conecta CQZ3KE hinge with recessed insertion in the door and in the side**

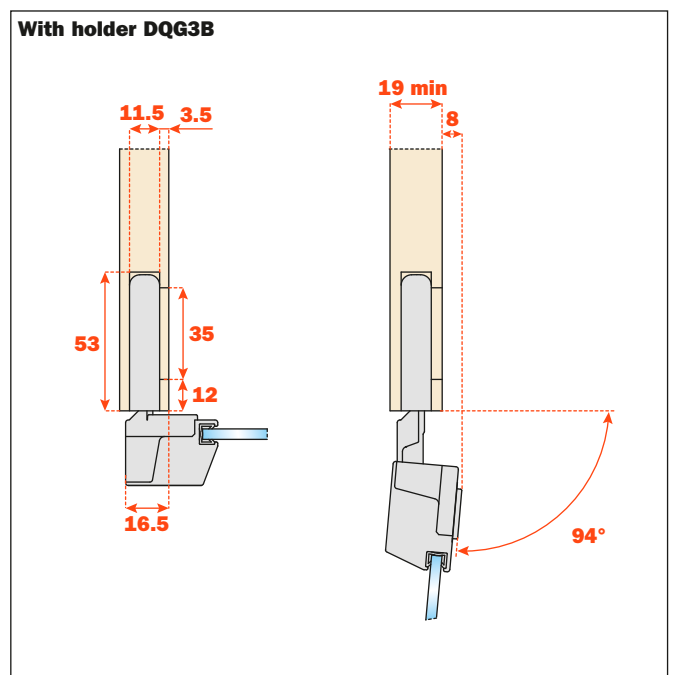
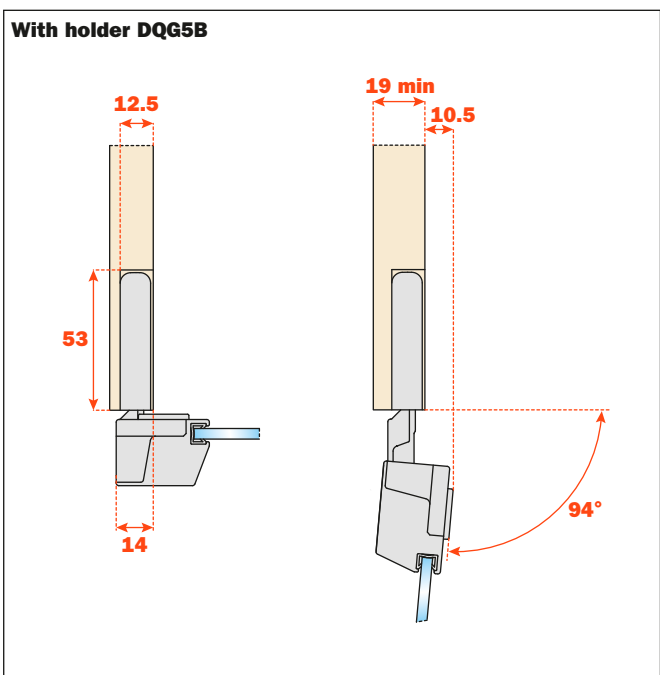
- Rapid fixing of the door to the cabinet side
- For aluminium-framed doors
- 24 mm deep metal cup
- L = 3,5 mm
- 94° opening

**Space needed to open the door**



T=	25	26	27	28	29	30
A=	2.4	3.3	4.2	5.2	6.1	7.1

**Fixing into the side and projection of the door**





## Workings on door and cabinet

### Holder DQG5B



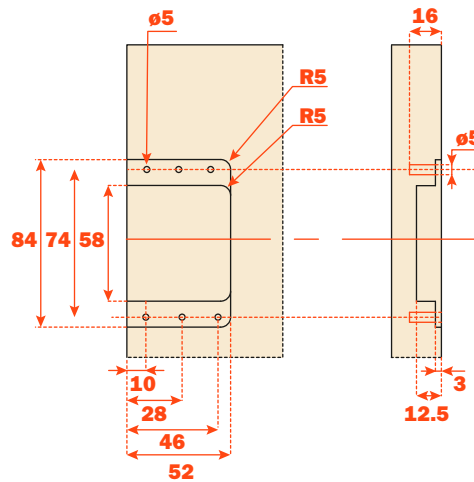
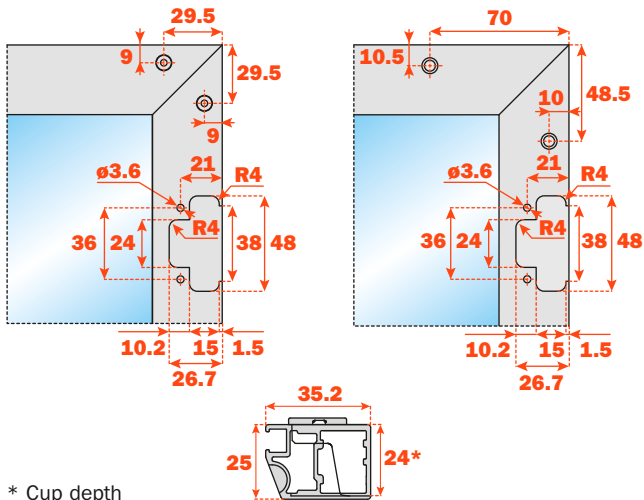
#### - For single door

To be screw-fixed to the cabinet side:

- For single door with Euro screws, drilling  $\varnothing 5 \times 16$  mm
- Fixing screws and cover caps included in the single packing
- Fixing screws included in the industrial packing

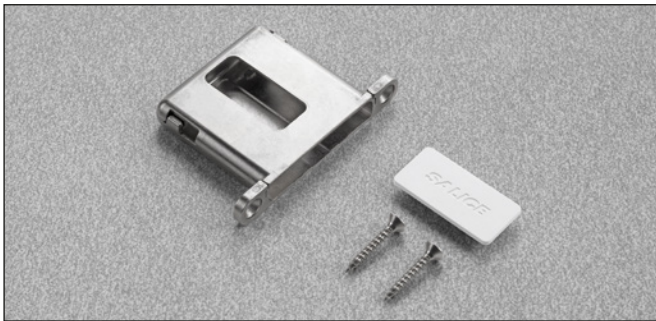
Drilling with corner connector  
**DQZ3HS5V04**

Drilling with corner connector  
**DEL6BSFV02**



\* Cup depth

### Holder DQG3B



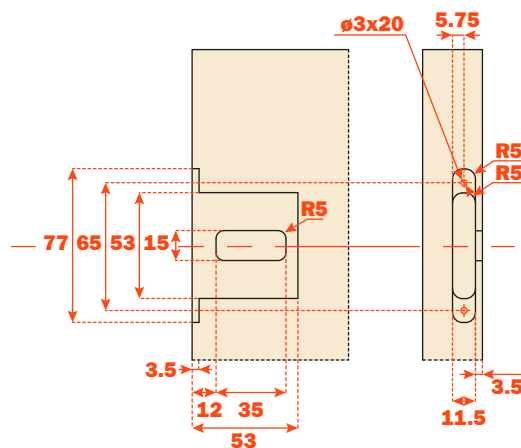
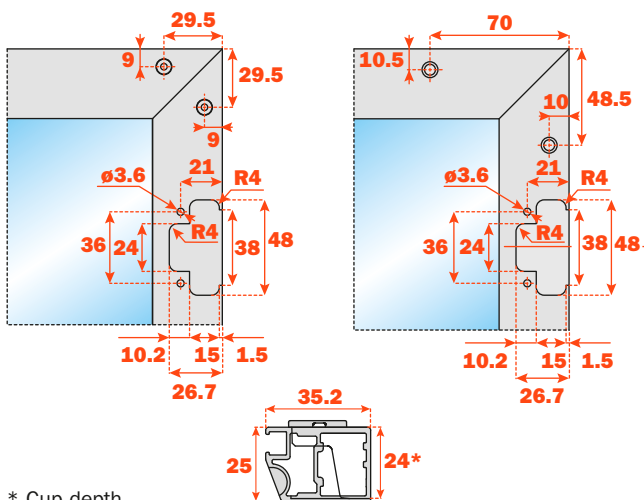
#### - For single door

To be screw-fixed to the cabinet side:

- For single door with screws  $\varnothing 4 \times 25$  mm
- Fixing screws and cover caps included in the single packing
- Fixing screws included in the industrial packing

Drilling with corner connector  
**DQZ3HS5V04**

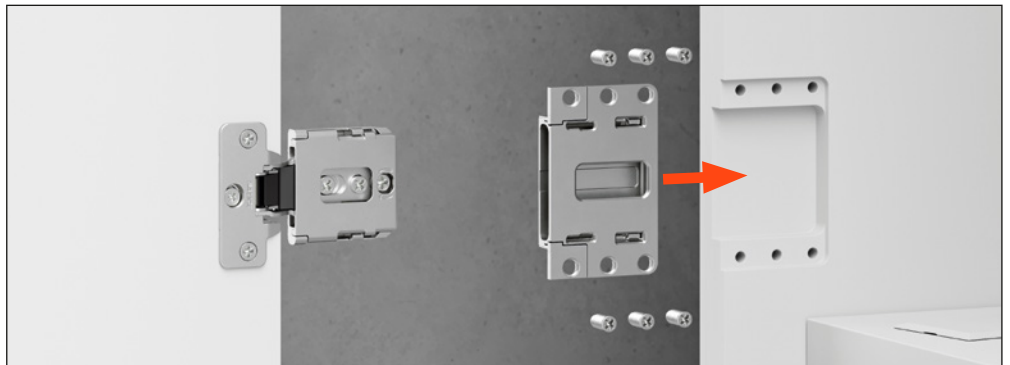
Drilling with corner connector  
**DEL6BSFV02**



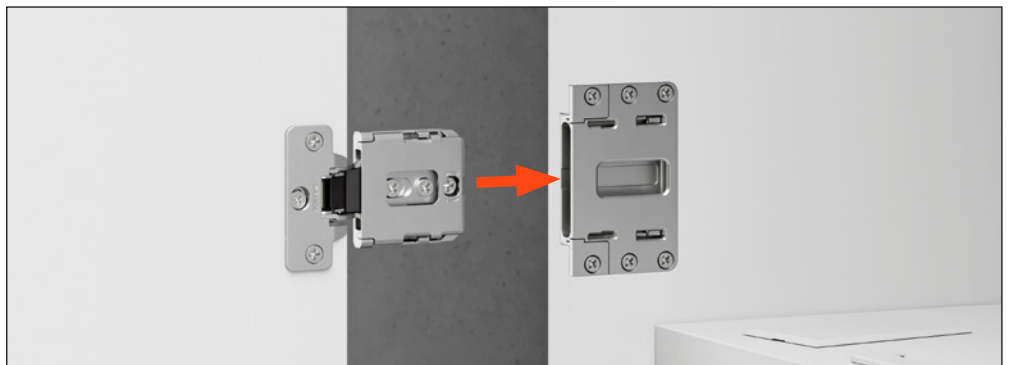
\* Cup depth

**Conecta • Assembly • Single door with holder DQG5B**

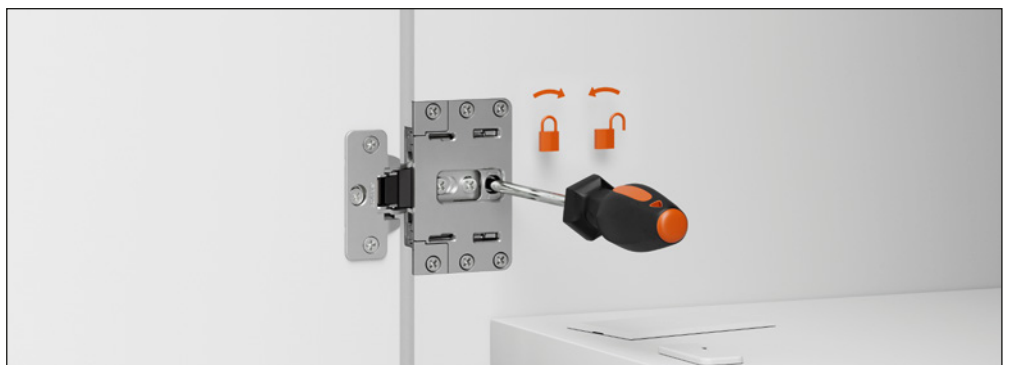
Fix the holder to the cabinet side using the Euroscrews



Fully insert the hinge into the holder



Once fully inserted, lock the hinge into place using the back cam



Apply the flange and the screw cover caps

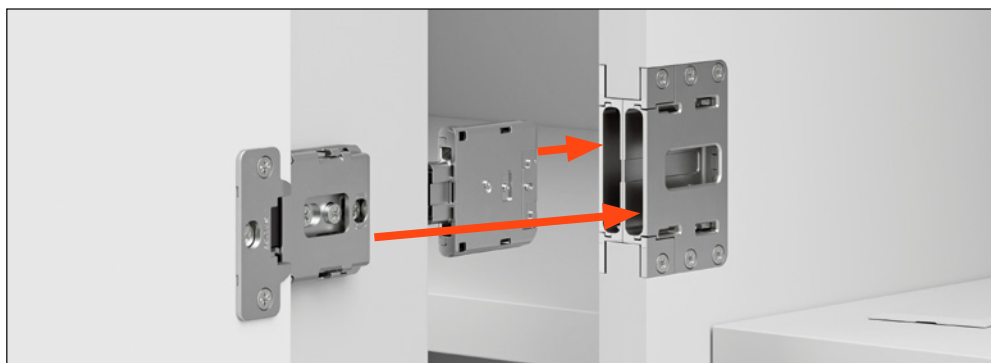


## Double doors with holder DQG5B

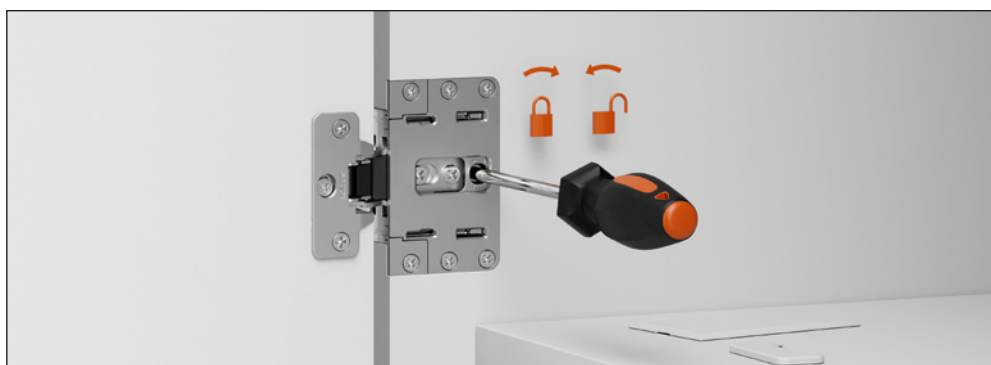
Fix the holders to the cabinet side using the interscrews



Fully insert the hinges into the holders



Once fully inserted, lock the hinges into place using the back cam

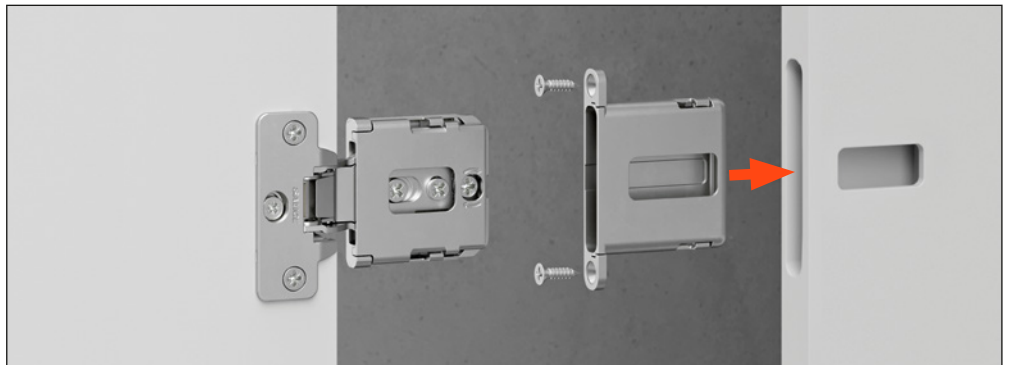


Apply the flange and the screw cover caps

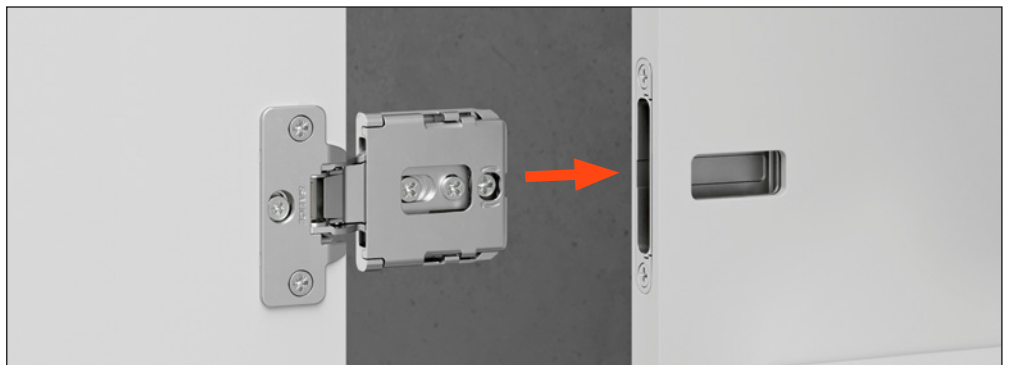


**Conecta • Assembly • Single door with holder DQG3B**

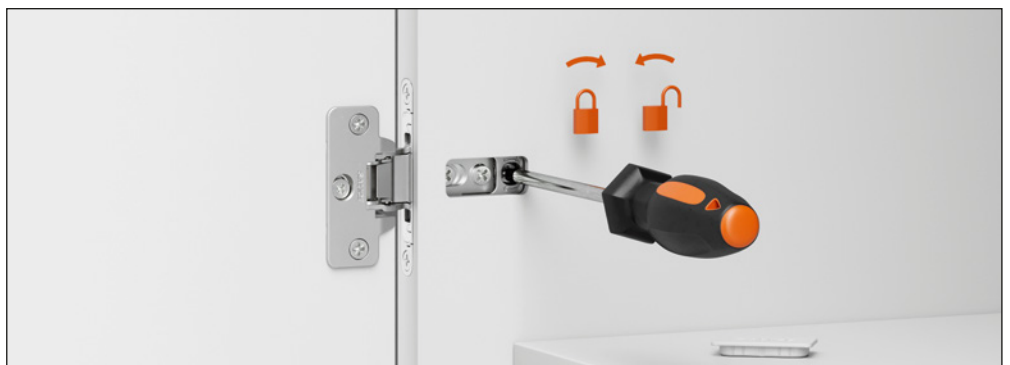
Fix the holder to the cabinet side using the woodscrews



Fully insert the hinge into the holder



Once fully inserted, lock the hinge into place using the back cam



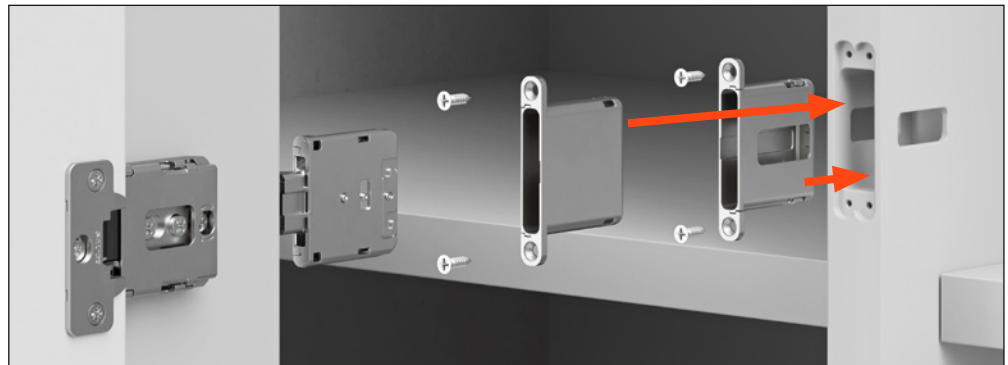
Apply the flange and the screw cover caps



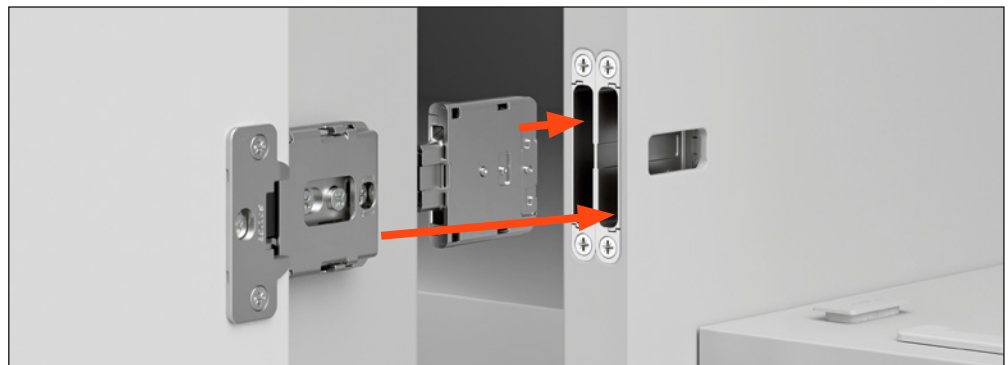


## Double doors with holder DQG3B

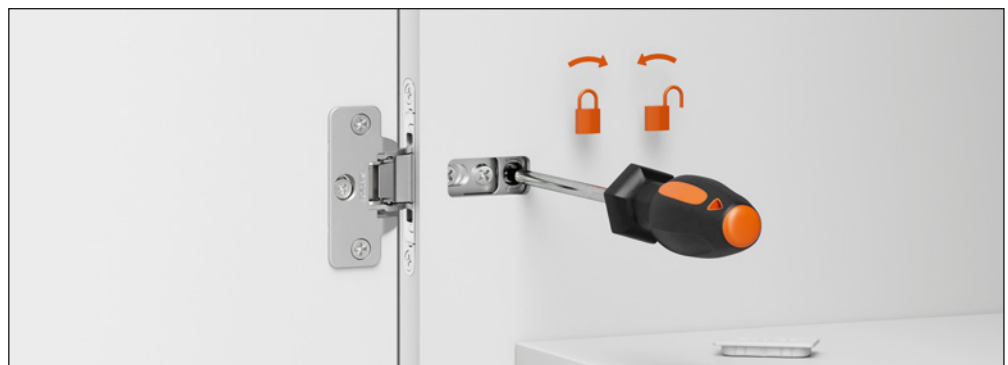
Fix the holders to the cabinet side using the woodscrews



Fully insert the hinges into the holders



Once fully inserted, lock the hinges into place using the back cam

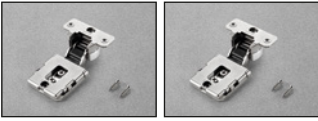


Apply the flange and the screw cover caps

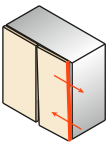
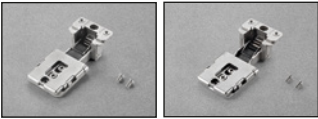


**Conecta - Adjustments • Holder DQG5B**

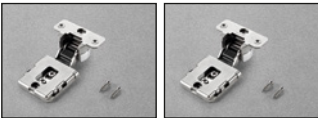
Sideways adjustment for hinge  
for wooden doors:  
from -1 to +2



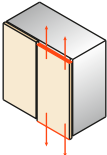
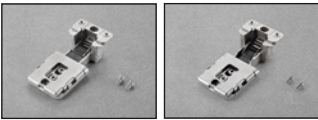
Sideways adjustment for hinge  
for aluminium-framed doors:  
from -2 to +0,5



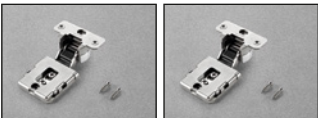
Height adjustment for hinge  
for wooden doors:  
from -2,5 to +2,5



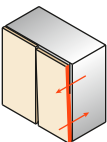
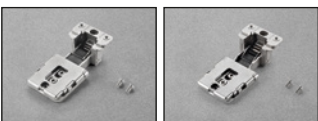
Height adjustment for hinge  
for aluminium-framed doors:  
from -2,5 to +2,5



Depth adjustment for hinge  
for wooden doors:  
from 0 to +3

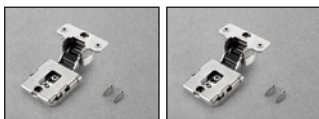


Depth adjustment for hinge  
for aluminium-framed doors:  
from 0 to +3

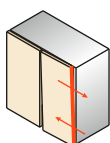
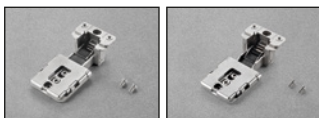


## Holder DQG3B

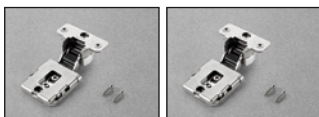
Sideways adjustment for hinge  
for wooden doors:  
from -1 to +2



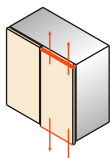
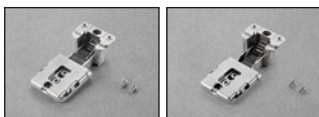
Sideways adjustment for hinge  
for aluminium-framed doors:  
from -2 to +0,5



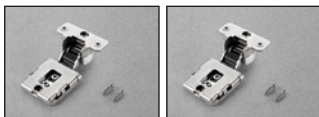
Height adjustment for hinge  
for wooden doors:  
from -2,5 to +2,5



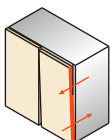
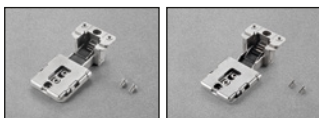
Height adjustment for hinge  
for aluminium-framed doors:  
from -2,5 to +2,5




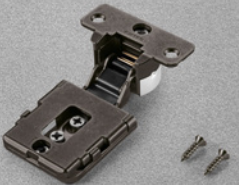

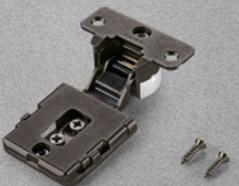

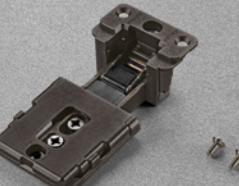
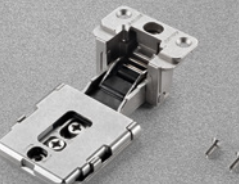
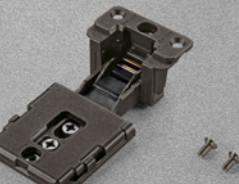


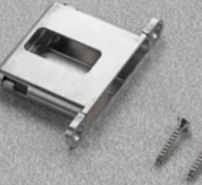
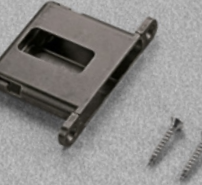
Depth adjustment for hinge  
for wooden doors:  
from 0 to +3



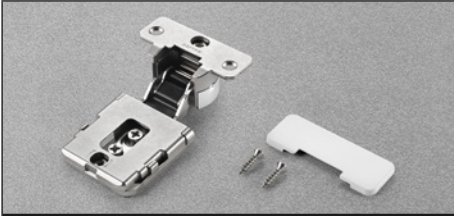
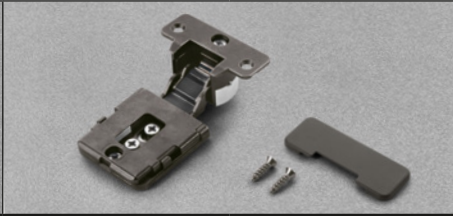

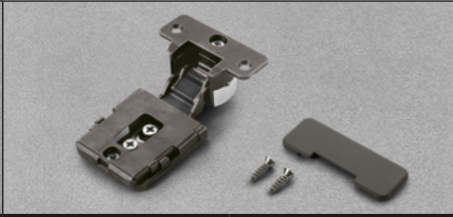
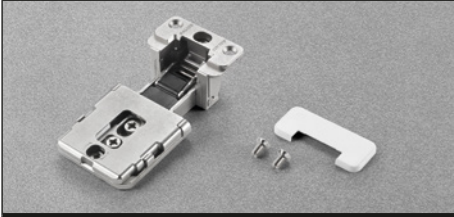
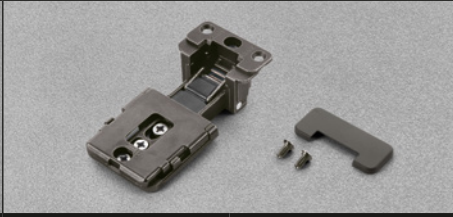
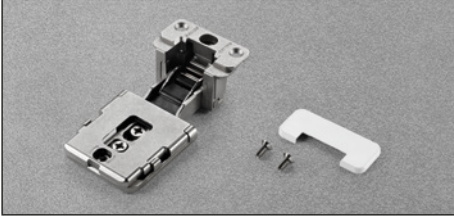
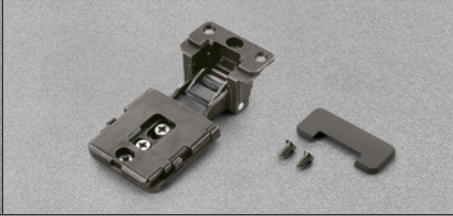


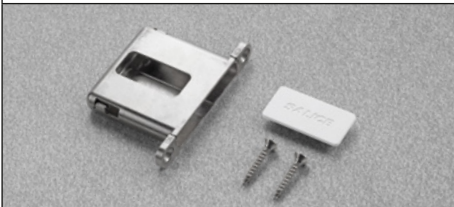
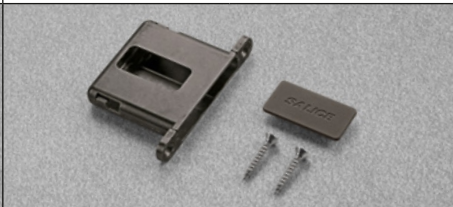
Depth adjustment for hinge  
for aluminium-framed doors:  
from 0 to +3



**Conecta - Packing**



Hinge with Nickel-plated finish	Hinge with Titanium finish	INDUSTRIAL packing
For wooden doors • Door overlay: 10 mm (DQG5) - 12,5 mm (DQG3)		
<b>CQA3JE9XXI</b>	<b>CQA3JE6XXI</b>	
		
For wooden doors • Door overlay: 14 mm (DQG5) - 16,5 mm (DQG3)		
<b>CQA3KE9XXI</b>	<b>CQA3KE6XXI</b>	
		
For aluminium-framed doors • Door overlay: 10 mm (DQG5) - 12,5 mm (DQG3)		
<b>CQZ3JE9XXI</b>	<b>CQZ3JE6XXI</b>	
		
For aluminium-framed doors • Door overlay: 14 mm (DQG5) - 16,5 mm (DQG3)		
<b>CQZ3KE9XXI</b>	<b>CQZ3KE6XXI</b>	
		
<b>Holder with Nickel-plated finish</b>	<b>Holder with Titanium finish</b>	<b>INDUSTRIAL packing</b>
<b>DQG5BX9XI</b>	<b>DQG5BX6XI</b>	
		Boxes 100 pcs. Pallets 24 boxes • Fixing screws included
<b>Holder with Nickel-plated finish</b>	<b>Holder with Titanium finish</b>	<b>INDUSTRIAL packing</b>
<b>DQG3BX9XI</b>	<b>DQG3BX6XI</b>	
		Boxes 100 pcs. Pallets 24 boxes • Fixing screws included



Hinge with Nickel-plated finish	Hinge with Titanium finish	SINGLE packing
For wooden doors • Door overlay: 10 mm (DQG5) - 12,5 mm (DQG3)		
<b>CQA3JE9XXV</b>	<b>CQA3JE6XXV</b>	
		
For wooden doors • Door overlay: 14 mm (DQG5) - 16,5 mm (DQG3)		
<b>CQA3KE9XXV</b>	<b>CQA3KE6XXV</b>	
		
For aluminium-framed doors • Door overlay: 10 mm (DQG5) - 12,5 mm (DQG3)		
<b>CQZ3JE9XXV</b>	<b>CQZ3JE6XXV</b>	
		<p>Bags 2 pcs. Boxes with 25 bags Pallets 24 boxes</p> <p>•</p> <p>Fixing screws and flange cover cap included</p>
For aluminium-framed doors • Door overlay: 14 mm (DQG5) - 16,5 mm (DQG3)		
<b>CQZ3KE9XXV</b>	<b>CQZ3KE6XXV</b>	
		
Holder with Nickel-plated finish	Holder with Titanium finish	SINGLE packing
<b>DQG5BX9XS</b>	<b>DQG5BX6XS</b>	
		<p>Bags 2 pcs. Boxes with 25 bags Pallets 24 boxes</p> <p>•</p> <p>Fixing screws and screw cover cap included</p>
Holder with Nickel-plated finish	Holder with Titanium finish	SINGLE packing
<b>DQG3BX9XS</b>	<b>DQG3BX6XS</b>	
		<p>Bags 2 pcs. Boxes with 25 bags Pallets 24 boxes</p> <p>•</p> <p>Fixing screws and screw cover cap included</p>

**Conecta - Screw cover caps with Salice printed logo**

Symmetrical plastic screw cover caps with Salice printed logo.











Screw cover caps DQG3B	Screw cover caps DQG5B	Packing
<b>PQFXAA1SN</b>	<b>PQF5AA1SN</b>	Boxes 100 pcs. • Large Boxes 600 pcs.
White	White	
		
<b>PQFXAA3SN</b>	<b>PQF5AA3SN</b>	Boxes 100 pcs. • Large Boxes 600 pcs.
Black	Black	
		
<b>PQFXAA6SN</b>	<b>PQF5AA6SN</b>	Boxes 100 pcs. • Large Boxes 600 pcs.
Titanium	Titanium	
		
<b>PQFXAA9SN</b>	<b>PQF5AA9SN</b>	Boxes 100 pcs. • Large Boxes 600 pcs.
Satin Chrome	Satin Chrome	
		
<b>PQFXAAWSN</b>	<b>PQF5AAWSN</b>	Boxes 100 pcs. • Large Boxes 600 pcs.
Satin Gold	Satin Gold	
		

**Screw cover caps and flange cover caps**

Symmetrical plastic screw cover caps.They can be personalised on request with silk-screen printed logo.


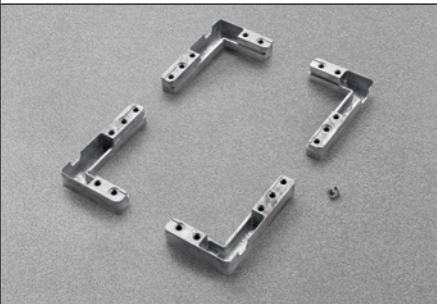

Plastic flange cover caps.

Screw cover caps DQG3B	Screw cover caps DQG5B	Packing
<b>PQFXAA1</b>	<b>PQF5AA1</b>	Boxes 100 pcs. • Large Boxes 600 pcs.
White	White	
		
<b>PQFXAA3</b>	<b>PQF5AA3</b>	Boxes 100 pcs. • Large Boxes 600 pcs.
Black	Black	
		
<b>PQFXAA6</b>	<b>PQF5AA6</b>	Boxes 100 pcs. • Large Boxes 600 pcs.
Titanium	Titanium	
		
<b>PQFXAA9</b>	<b>PQF5AA9</b>	Boxes 100 pcs. • Large Boxes 600 pcs.
Satin Chrome	Satin Chrome	
		
<b>PQFXAAW</b>	<b>PQF5AAW</b>	Boxes 100 pcs. • Large Boxes 600 pcs.
Satin Gold	Satin Gold	
		



Flange cover caps Hinge for wooden doors	Flange cover caps Hinge for aluminium-framed doors	Packing
<b>PQSAAA1</b>	<b>PQSZAA1</b>	Boxes 100 pcs. • Large Boxes 600 pcs.
White	White	
		
<b>PQSAAA3</b>	<b>PQSZAA3</b>	Boxes 100 pcs. • Large Boxes 600 pcs.
Black	Black	
		
<b>PQSAAA6</b>	<b>PQSZAA6</b>	Boxes 100 pcs. • Large Boxes 600 pcs.
Titanium	Titanium	
		
<b>PQSAAA9</b>	<b>PQSZAA9</b>	Boxes 100 pcs. • Large Boxes 600 pcs.
Satin Chrome	Satin Chrome	
		
<b>PQSAAAW</b>	<b>PQSZAAW</b>	Boxes 100 pcs. • Large Boxes 600 pcs.
Satin Gold	Satin Gold	
		

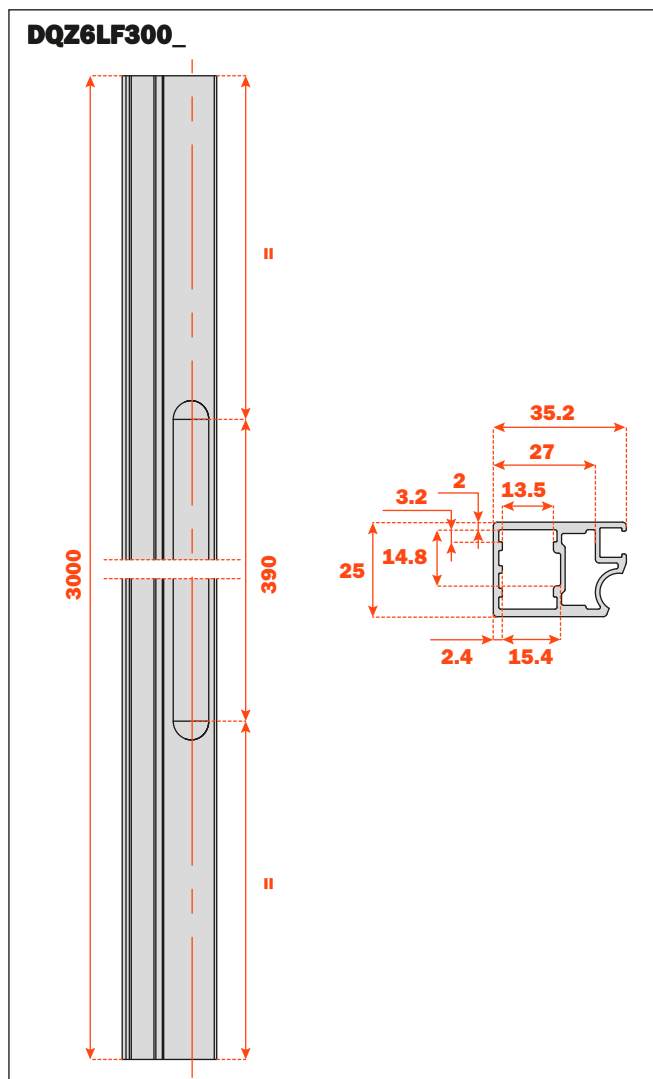
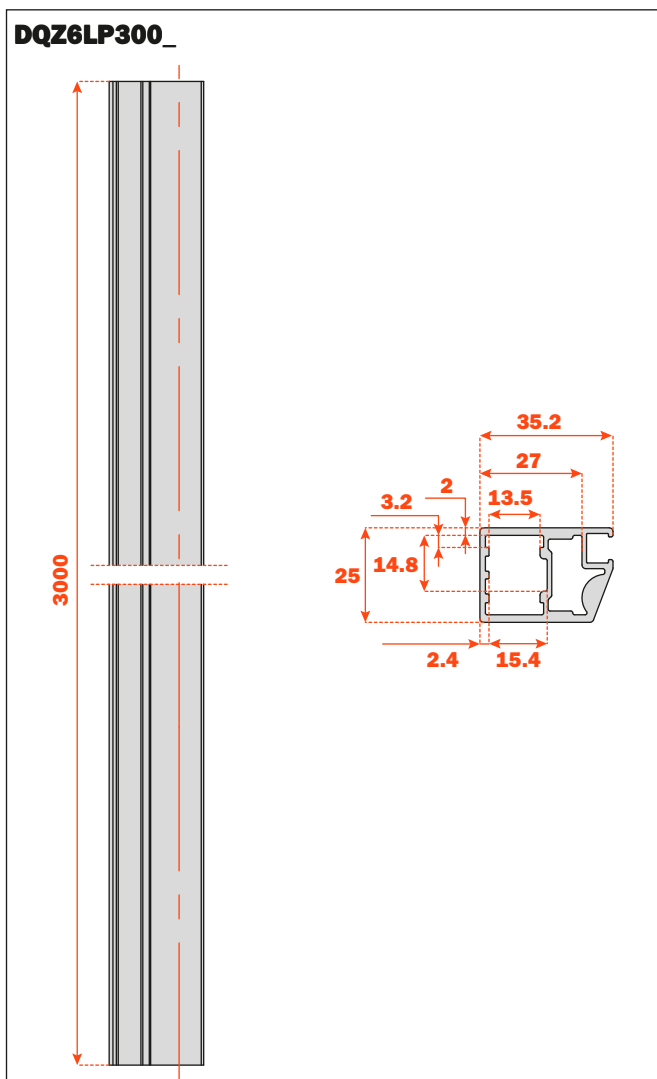
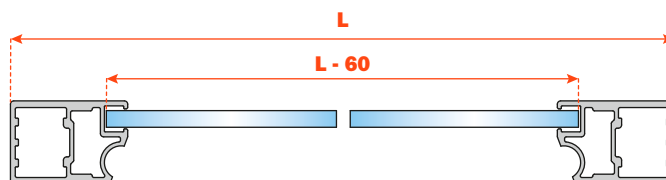


**Conecta - Accessories**

Steel corner connectors for the assembly of the aluminium door profile	<b>Part number</b>	<b>Packing</b>	
	<b>DQZ3HS5V04</b>	<p>Boxes with 25 bags</p> <p>1 bag contains: 4 corner connectors and assembly screws (nickel-plated and titanium finish)</p>	
Die-cast corner connectors for the assembly of the aluminium door profile	<b>Part number</b>	<b>Packing</b>	
	<b>DEL6BSFV02</b>	<p>Boxes with 25 bags</p> <p>1 bag contains: 4 corner connectors and assembly screws (nickel-plated and titanium finish)</p>	
Gasket for glass	<b>Part number</b>	<b>Packing</b>	<b>Length</b>
	<b>DQZ6AG3000T</b>	100 lengths	3 metres



Aluminium door profile for glass insertion (4 mm)	Part number	Packing	Length
	<b>DQZ6LP300P</b>	10 profiles in Anodised Aluminium	3 metres
	<b>DQZ6LP300T</b>	10 profiles in Titanium finish	
	<b>DQZ6LF300P</b>	10 profiles in Anodised Aluminium with handle	
	<b>DQZ6LF300T</b>	10 profiles in Titanium finish with handle	







## ARTURO SALICE S.p.A.

VIA PROVINCIALE NOVEDRATESE, 10  
22060 NOVEDRATE (COMO) ITALIA  
TEL. 031 790424 - FAX 031 791508  
info.salice@salice.com - www.salice.com

### DEUTSCHE SALICE GMBH

RUDOLF DIESEL STR. 10  
74382 NECKARWESTHEIM  
TEL. 07133 9807-0  
FAX. 07133 9807-16  
info.salice@deutschesalice.de  
www.salice.com

### DEUTSCHE SALICE GMBH

VERKAUFSBÜRO NORD  
RINGSTRASSE 36/A30 CENTER  
32584 LÖHNE  
TEL. 05731 15608-0  
FAX. 05731 15608-10  
vknord@deutschesalice.de  
www.salice.com

### SALICE UK LTD.

KINGFISHER WAY  
HINCHINGBROOKE BUSINESS PARK  
HUNTINGDON CAMBS PE 29 6FN  
TEL. 01480 413831  
FAX. 01480 451489  
info.salice@saliceuk.co.uk  
www.salice.com

### SALICE FRANCE S.A.R.L.

285 RUE DE GOA ZAC LES 3 MOULINS  
06600 ANTIBES  
TEL. 0493 330069  
FAX. 0493 330141  
info.salice@salicefrance.com  
www.salice.com

### SALICE ESPAÑA, S.L.U.

C/ AIGUAFREDA 4, P.I. AMETLLA PARK  
08480 L'AMETLLA DEL VALLÈS (BARCELONA)  
TEL. 0034 938 46 88 61  
info.salice@saliceespana.es  
www.salice.com

### SALICE PORTUGAL UNIP. LDA

#### SHOWROOM:

TV SÁ E MELO 161 FA  
4470-116 MAIA - PORTO  
TEL: 00351 224 154 221  
Info@saliceportugal.pt  
www.salice.com

#### ARMAZÉM:

VIA ROTA DOS MÓVEIS I 399  
4585-325 GANDRA

### SALICE CHINA (SHANGHAI) CO. LTD.

1st FLOOR, B1 BLDG 928 MINGZHU ROAD  
XUJING, QINGPU DISTRICT  
SHANGHAI 201702 - CHINA  
TEL. 021 3988 9880  
FAX. 021 3988 9882  
info.salice@salicechina.com  
www.salicechina.com

### SALICE INDIA PVT. LTD.

1001 & 1002, 10TH FLOOR,  
CENTRUM, PLOT NO. C-3,  
OPP. WAGLE PRABHAG SAMITI OFFICE,  
MIDC AREA, WAGLE INDUSTRIAL ESTATE,  
THANE - 400604, MAHARASHTRA  
TEL. 022 20812050  
info@saliceindia.com  
www.salice.com

### SALICE CANADA INC.

3500 RIDGEWAY DRIVE,  
UNIT#1  
MISSISSAUGA, ONTARIO, L5L 0B4  
TEL. 905 820 8787  
FAX. 905 820 7226  
info.salice@salicecanada.com  
www.salicecanada.com

### SALICE AMERICA INC.

2123 CROWN CENTRE DRIVE  
CHARLOTTE NC. 28227  
TEL. 704 841 7810  
FAX. 704 841 7808  
info.salice@saliceamerica.com  
www.saliceamerica.com



**Digital contents**